

# AO RB-RS

AUTO-DUMPING  
FORK MIXER FRENCH TYPE

**MIXER**  
ART OF MIXING

PROFESSIONAL

AO RB Dumping on table (only left).

AO RS Dumping on divider (only left).

CAPACITY (LT)

- 230      ■ 440
- 330

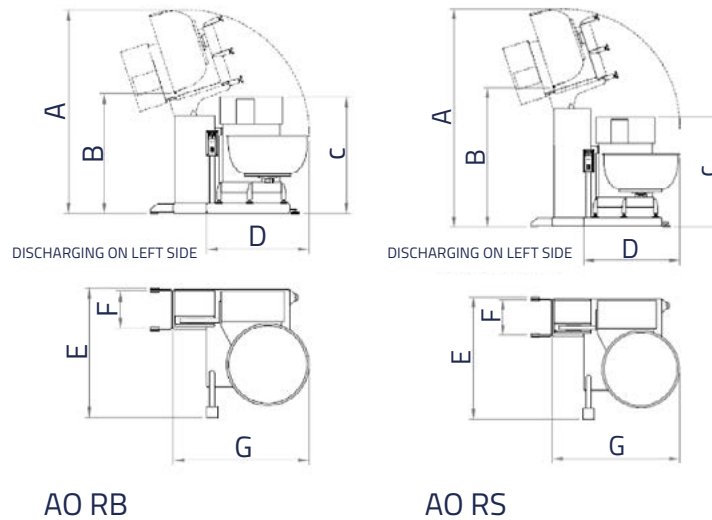


# AO RB-RS

AUTO-DUMPING FORK MIXER FRENCH TYPE

PROFESSIONAL

## TECHNICAL FEATURES



## TECHNICAL DATA

MODEL		AO RB 230	AO RB 330	AO RB 440	AO RS 230	AO RS 330	AO RS 440
Dough capacity (min./max) *	kg	35/120	50/180	45/240	35/120	50/180	45/240
Flour capacity (min./max) *	kg	22/75	32/110	26/150	22/75	32/110	26/150
Water capacity (min./max) *	lt	13/45	18/70	18/90	13/45	18/70	18/90
Bowl volume	lt	230	330	440	230	330	440
% water/flour minimum	%	50	50	50	50	50	50
Spiral turns 1st / 2nd speed (50/60Hz)	rpm	47/70	47/70	47/70	47/70	47/70	47/70
Bowl turns 1st / 2nd speed (50/60Hz)	rpm	-/-	-/-	-/-	-/-	-/-	-/-
Motor power 1st / 2nd speed	kw	3.7/5.2	3.7/5.2	4.6/6.9	3.7/5.2	3.7/5.2	4.6/6.9
Current drawn V 230	A	19	19	26	19	19	26
Current drawn V 400	A	11	11	14.7	11	11	14.7
Total height (machine during discharging phase)	A mm	2330	2410	2500	2580	2660	2810
Height from bowl edge (machine during discharging phase)	B mm	1380	1360	1330	1636	1610	1650
Total height (machine to the ground)	C mm	1340	1340	1530	1340	1340	1530
Total width (machine during discharging phase)	D mm	1086	1175	1250	1086	1175	1250
Total depth	E mm	1480	1480	1650	1480	1480	1650
Depth from lateral support	F mm	420	460	460	420	460	460
Total width	G mm	1550	1633	1730	1550	1633	1730
Net weight	kg	850	890	1150	1050	1100	1320

\*. capacity based on the percentage of liquid/flour = 60%

All data are to be considered as nominal, MIXER srl reserves the right to make any changes to the product and/or technical specifications without notice.

## STANDARD FEATURES

- Painted steel structure.
- High-resistance aluminium fork that can be lifted manually.
- Stainless steel bowl.
- Two-speed fork motor.
- Movement transmitted by pulleys and V-belts with gear motor in oil bath.
- Adjustable mechanical brake on bowl.
- Electrical commands on the side of the head, with two timers. Setting of work time with automatic shift from 1st to 2nd speed.
- Closed rotating guard.
- Auto-dumping on table (1.2 m) on left (AO RB).
- Auto-dumping on divider (1.7 m) on left (AO RS).
- Hydraulic lifting system.
- Impulse button to rotate bowl for removing the product in the lifter push-buttons.
- Dumping control with hold-to-run buttons.

## ON REQUEST

- Stainless steel fork.
- Stainless steel rotating bowl lid.