

AO

FORK MIXER FRENCH TYPE  
WITH FREE BOWL

**MIXER**  
ART OF MIXING

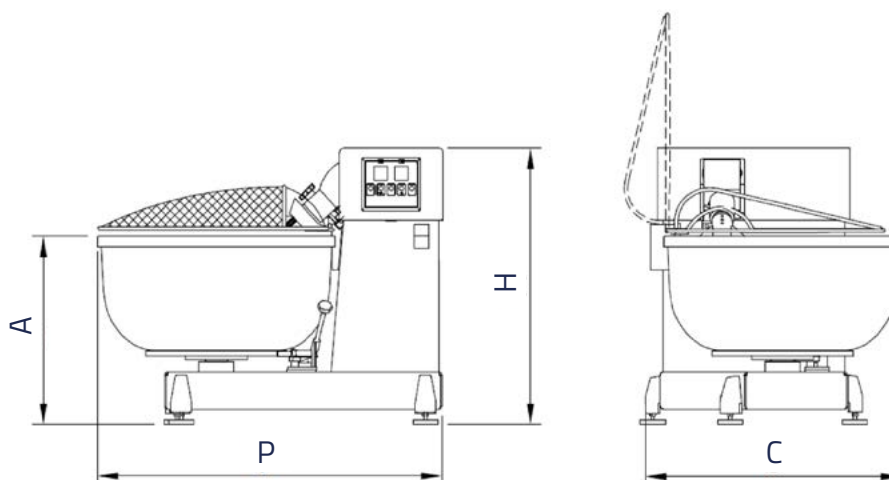
PROFESSIONAL

CAPACITY (lt)

- 170    ▪ 330
- 230    ▪ 440



## TECHNICAL FEATURES



## TECHNICAL DATA

MODEL		AO 170	AO 230	AO 330	AO 440
Dough capacity (min./max) *	kg	25/80	35/120	50/180	45/240
Flour capacity (min./max) *	kg	15/50	22/75	32/110	26/150
Water capacity (min./max) *	lt	10/30	13/45	18/70	18/90
Bowl volume	lt	170	230	330	440
Minimum % water/flour	%	55	55	55	55
Fork turns 1st /2nd speed (50hz/60hz)	rpm	47/70	47/70	47/70	47/70
Bowl turns 1st /2nd speed (50hz/60hz)	rpm	/	/	/	/
Motors power 1st /2nd speed	kw	3.7/5.2	3.7/5.2	3.7/5.2	4.6/6.9
Drawn current V. 230	A	19	19	19	26
Drawn current V. 400	A	13	13	13	14.7
Height from bowl edge	A mm	720	770	820	910
Total depth	P mm	1190	1330	1390	1550
Total width	C mm	930	1000	1070	1170
Total height	H mm	1150	1215	1215	1405
Net weight	kg	420	450	490	710

\*capacity based on the percentage of liquid/flour = 60%

All data are to be considered as nominal, MIXER SRL reserves the right to make any changes to the product and technical specification without notice.

## STANDARD FEATURES

- Painted steel structure, raised from the ground by 4 adjustable feet.
- High-resistance aluminium fork that can be lifted manually.
- Stainless steel bowl.
- Two-speed fork motor.
- Movement transmitted by pulleys and V-belts with gear motor in oil bath.
- Adjustable mechanical brake on bowl.
- Electrical commands on the side of the head, with two timers. Setting of work time with automatic shift from 1st to 2nd speed.

## ON REQUEST

- Stainless steel fork
- Stainless steel rotating bowl lid.